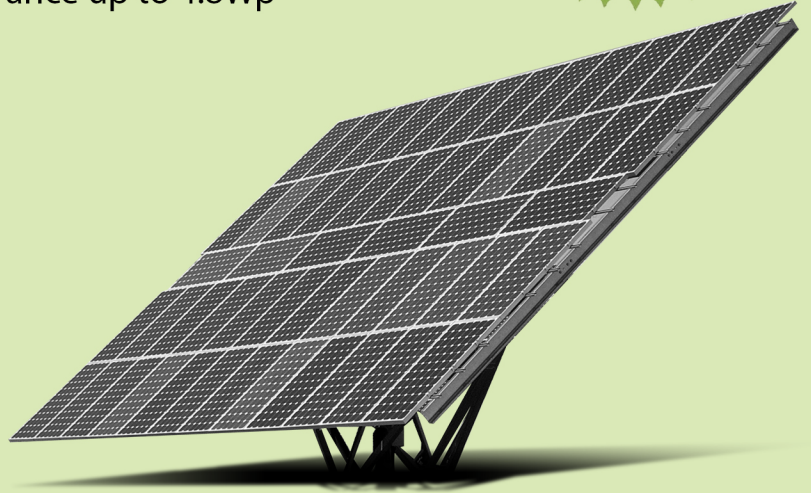


# Polycrystalline Module

**36**  
**Cells**  
SERIES

- Excellent power output with +ve tolerance up to 4.8Wp
- 10 years limited product warranty
- 25 years of performance warranty\*
- All the modules are PID resistant
- 100 % EL Tested
- Sustain's heavy wind load 2400 Pa
- Sustain's heavy snow load 5400 Pa

*\*As per standard warranty terms*



## CONSTRUCTIONAL CHARACTERISTICS

- Solar PV modules are constructed with toughened, low iron and textured high light transmission glass with anti-reflective coating (ARC)
- Multi-layer tedlar-based back sheet and ultra fast cure EVA
- 15 micron anodised aluminium frame
- Pre-drilled frame for easy mounting
- IP67 rated junction box

## GLOBAL CERTIFICATIONS



Certified to ISO 9001 : 2015 standard



Certified to ISO 14001 : 2015 standard



Modules assigned CE certification



R-51001686

IS 14286 : 2010 / IEC 61215 : 2005  
IS / IEC 61730 (Part 1) : 2004  
IS / IEC 61730 (Part 2) : 2004



IEC 61701 - Salt Mist test  
IEC 62804 - PID test

**HR Solar Solution (P) Limited**

**Registered Address** : 14 NS Road, Suite no - 102, Kolkata - 700001

**Factory Address** : Raghudebpur, NH 6, Panchla, Block - Uluberia II, Howrah, West Bengal - 711322

**Email** : info@hrsolarsolution.com **Website** : www.hrsolarsolution.com **Phone** : +91 33 2243 4540

## SPECIFICATIONS:

### Electrical Characteristics

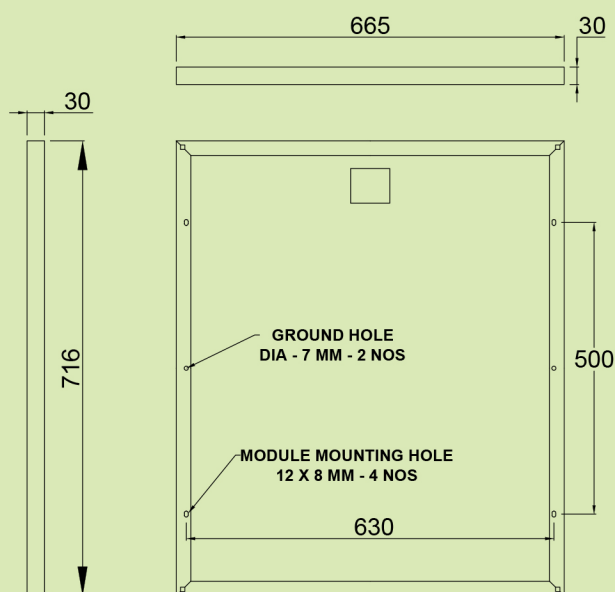
Model Name	<b>H75P36</b>
Maximum Power Pmax (Wp)	75
Open Circuit Voltage (Voc)	22.80
Optimum Operating Voltage (Vmp)	18.86
Optimum Operating Current (Imp)	3.98
Short Circuit Current (Isc)	4.26
Fill Factor (%)	77%
Module Efficiency (%)	15.76%
Temp Co-eff for Voc / °C (B)	-0.35%
Temp Co-eff for Isc/ °C (a)	0.05%
Temp Co-eff for Power/ °C (y)	-0.40%
NOCT	45 C ± 2 C
System Voltage (V)	600V
Fuse rating (A)	10A

### Mechanical Characteristics

Weight (Kg)	5.1 Kg
Dimension (mm)	716 X 665 X 30 mm
Static Load Wind/Snow	2400 Pa / 5400 Pa
Fire Rating	Class C

\*Standard Test Conditions (STC) - 1000 W/m<sup>2</sup> irradiance, Air Mass 1.5 and 25°C cell temperature.

### Module Frame Assembly



## HR Solar Solution (P) Limited

**Registered Address :** 14 NS Road, Suite no - 102 , Kolkata - 700001

**Factory Address :** Raghudebpur, NH 6, Panchla, Block - Uluberia II, Howrah, West Bengal - 711322

**Email :** info@hrsolarsolution.com **Website :** www.hrsolarsolution.com **Phone :** +91 33 2243 4540