

Polycrystalline Module

36
Cells
SERIES

- Excellent power output with +ve tolerance up to 4.8Wp
- 10 years limited product warranty
- 25 years of performance warranty*
- All the modules are PID resistant
- 100 % EL Tested
- Sustain's heavy wind load 2400 Pa
- Sustain's heavy snow load 5400 Pa

**As per standard warranty terms*



CONSTRUCTIONAL CHARACTERISTICS

- Solar PV modules are constructed with toughened, low iron and textured high light transmission glass with anti-reflective coating (ARC)
- Multi-layer tedlar-based back sheet and ultra fast cure EVA
- 15 micron anodised aluminium frame
- Pre-drilled frame for easy mounting
- IP67 rated junction box

GLOBAL CERTIFICATIONS



Certified to ISO 9001 : 2015 standard



Certified to ISO 14001 : 2015 standard



Modules assigned CE certification



R-51001686

IS 14286 : 2010 / IEC 61215 : 2005
IS / IEC 61730 (Part 1) : 2004
IS / IEC 61730 (Part 2) : 2004



IEC 61701 - Salt Mist test
IEC 62804 - PID test

HR Solar Solution (P) Limited

Registered Address : 14 NS Road, Suite no - 102, Kolkata - 700001

Factory Address : Raghudebpur, NH 6, Panchla, Block - Uluberia II, Howrah, West Bengal - 711322

Email : info@hrsolarsolution.com **Website :** www.hrsolarsolution.com **Phone :** +91 33 2243 4540

SPECIFICATIONS:

Electrical Characteristics

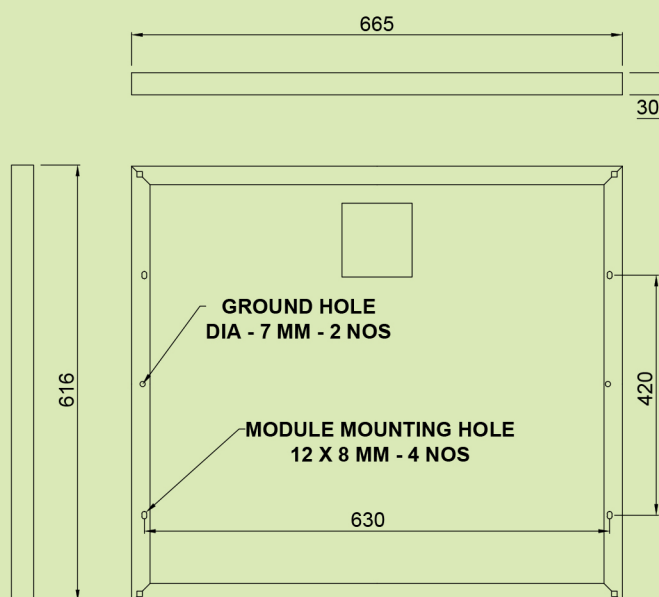
Model Name	H60P36
Maximum Power Pmax (Wp)	60
Open Circuit Voltage (Voc)	22.70
Optimum Operating Voltage (Vmp)	18.61
Optimum Operating Current (Imp)	3.25
Short Circuit Current (Isc)	3.50
Fill Factor (%)	76%
Module Efficiency (%)	14.74%
Temp Co-eff for Voc / °C (B)	-0.35%
Temp Co-eff for Isc/ °C (a)	0.05%
Temp Co-eff for Power/ °C (y)	-0.40%
NOCT	45 C ± 2 C
System Voltage (V)	600V
Fuse rating (A)	10 A

Mechanical Characteristics

Weight (Kg)	4.5 Kg
Dimension (mm)	616 X 665 X 30 mm
Static Load Wind/Snow	2400 Pa / 5400 Pa
Fire Rating	Class C

*Standard Test Conditions (STC) - 1000 W/m² irradiance, Air Mass 1.5 and 25°C cell temperature.

Module Frame Assembly



HR Solar Solution (P) Limited

Registered Address : 14 NS Road, Suite no - 102 , Kolkata - 700001

Factory Address : Raghudebpur, NH 6, Panchla, Block - Uluberia II, Howrah, West Bengal - 711322

Email : info@hrsolarsolution.com **Website :** www.hrsolarsolution.com **Phone :** +91 33 2243 4540